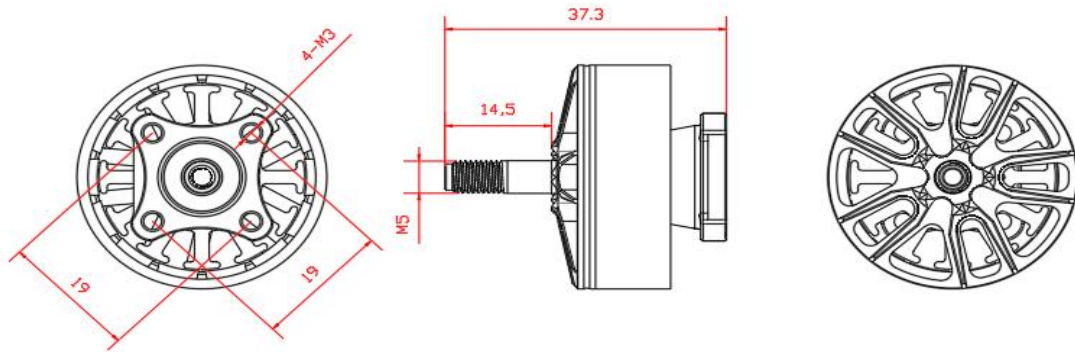


EFEI 2807



EFEI 2807

KV	1300	Configuration	12N14P
Shaft	stainless steel	Stator	Kawasaki 0.2
Bearing	5*11*5	Magnet	N52SH(Curved Magnet)
Internal Resistance	63mΩ	Motor Cable	18#, 250mm
Shaft Diameter	5mm	Weight with silicone wire	59g

High temperature resistant 220° enameled wire

EFEI 2807

Item NO.	Propeller	Throttle	Thrust (g)	Voltage (v)	Current (A)	power (w)	Efficiency (g/w)
EFEI-2807 KV1300	GF 7040-3	50%	1330	25.2	14	352.8	3.7698
		70%	1850	25.2	24.3	612.36	3.0211
		90%	2460	25.2	40.6	1023.12	2.4044
		100%	2580	25.2	45.8	1154.16	2.2354